

Installationsvejledning
Montageanweisung
Installation instruction
Instructions d'installation
Istruzioni di installazione
Installatie- -instructies
Instrucciones de instalación

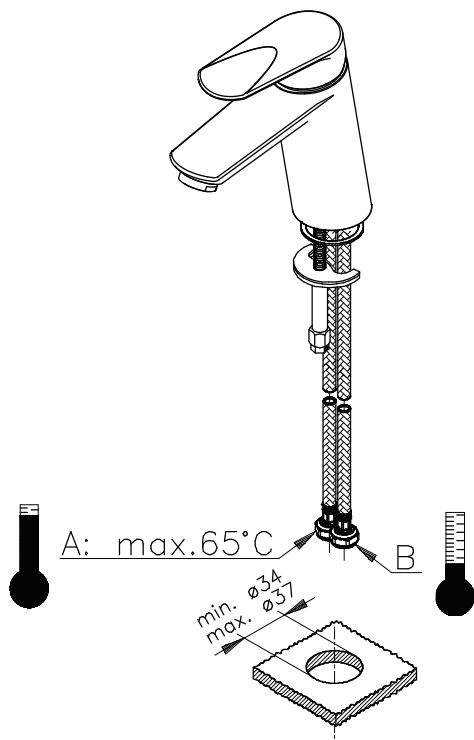
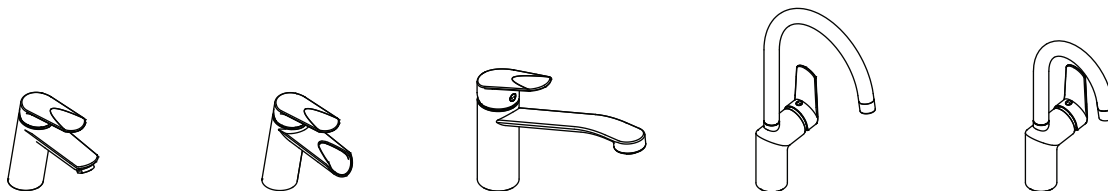
damixa

Østbirkvej 2, 5240 Odense NØ, Denmark
 Tel. +45 88 330 034
 E-mail: damixa@fmm-mora.com
 Homepage: www.damixa.com

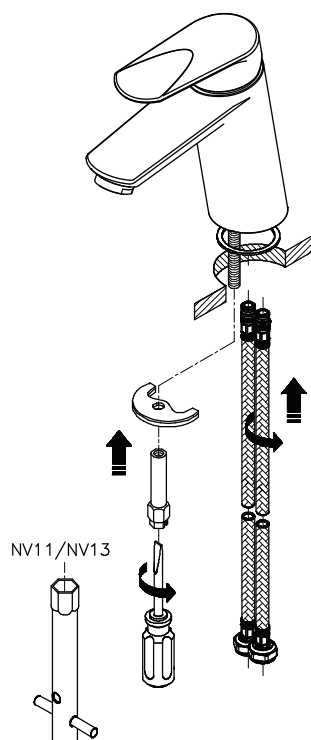
09.20

20242.00

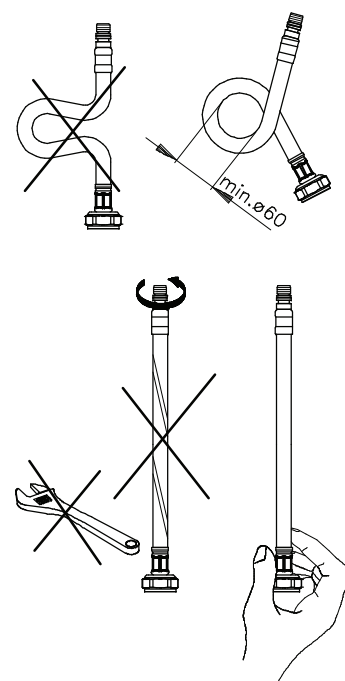
Clover



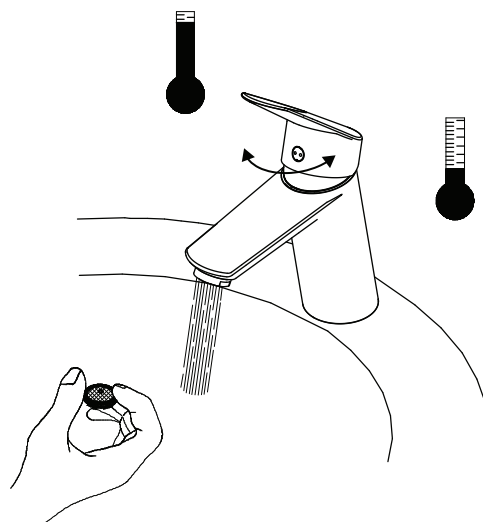
A A,B: 50–1000 kPa (0.5–10 bar)



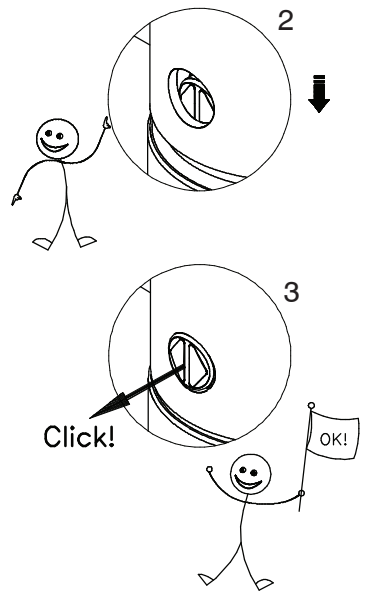
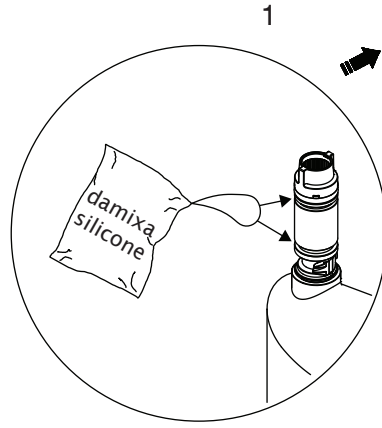
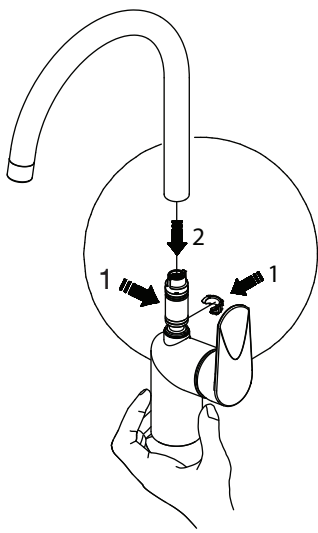
B



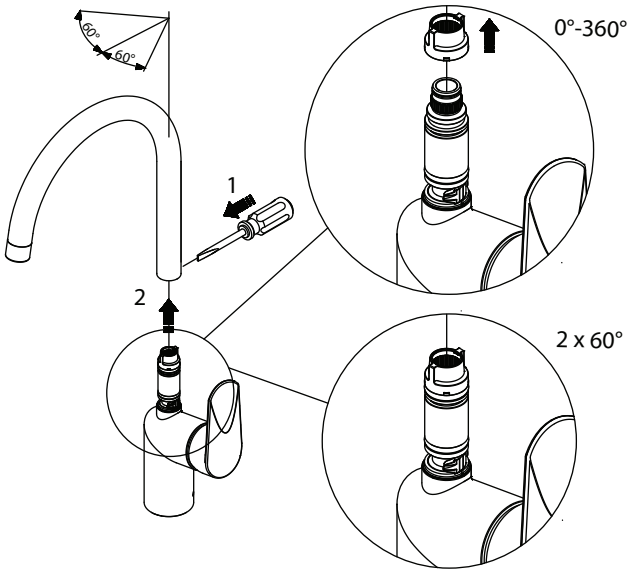
C



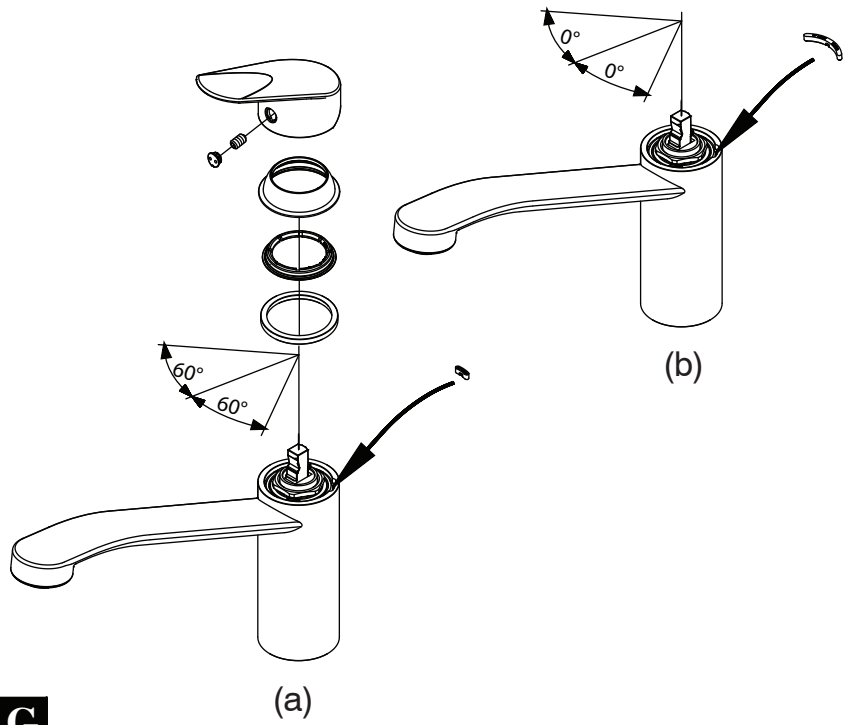
D



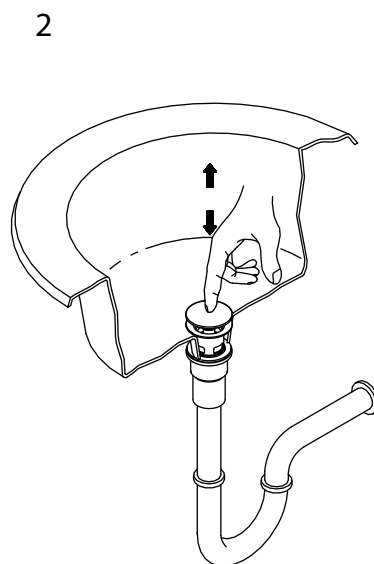
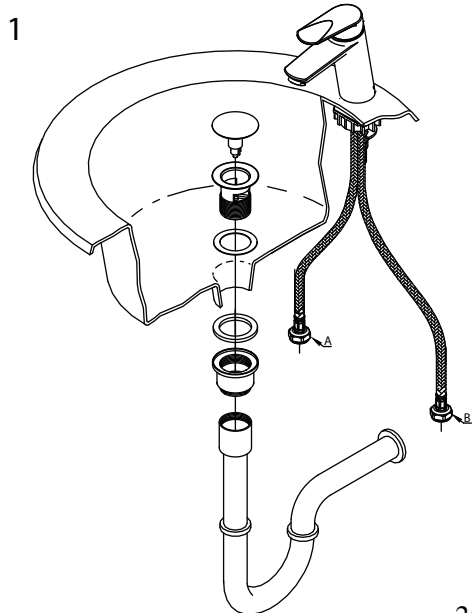
E



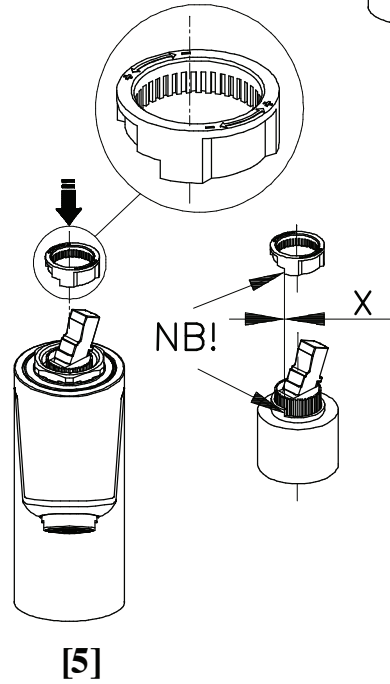
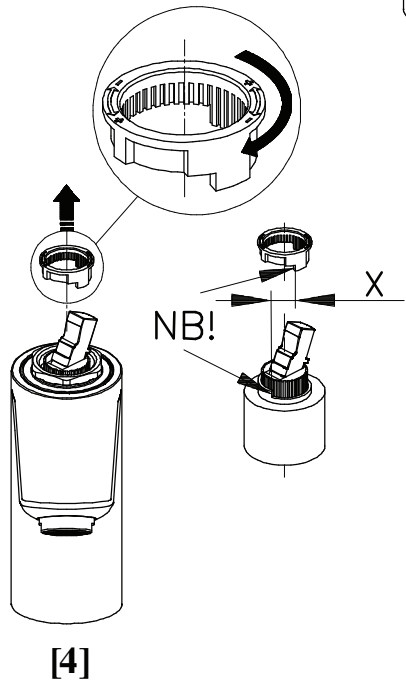
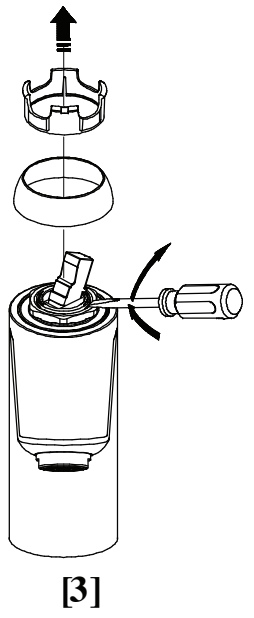
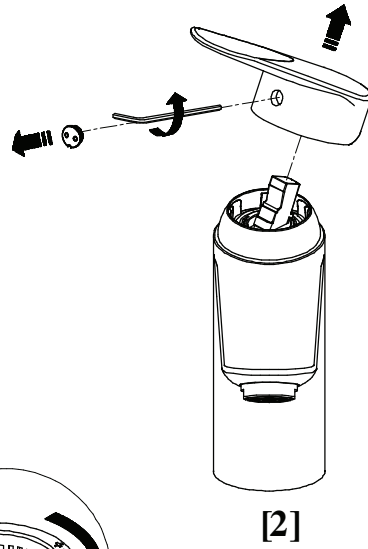
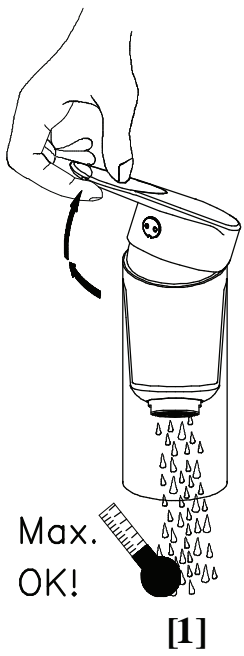
F



G



H



I

