

**Installationsvejledning**  
**Montageanweisung**  
**Installation instruction**  
**Instructions d'installation**  
**Istruzioni di installazione**  
**Installatie- -instructies**  
**Instrucciones de instalación**

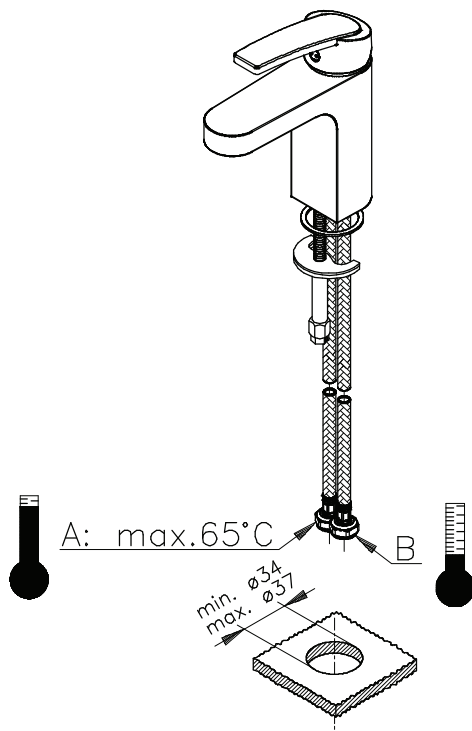
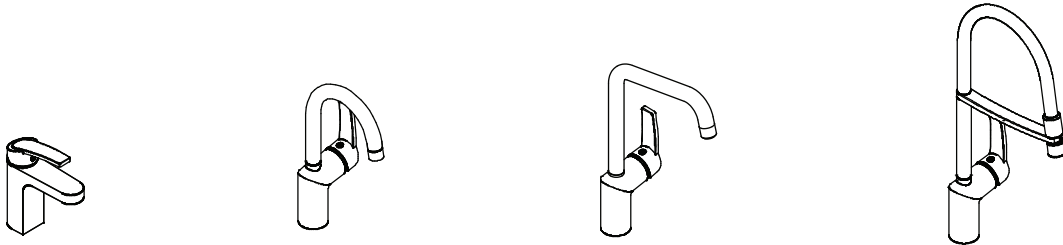
# damixa

Østbirkvej 2, 5240 Odense NØ, Denmark  
 Tel. +45 88 330 034  
 E-mail: damixa@fmm-mora.com  
 Homepage: www.damixa.com

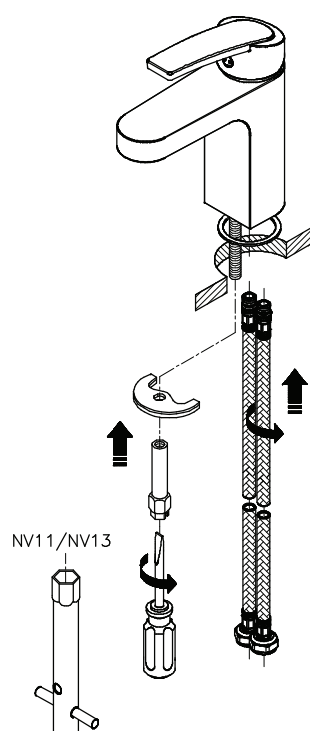
09.20

20239.00

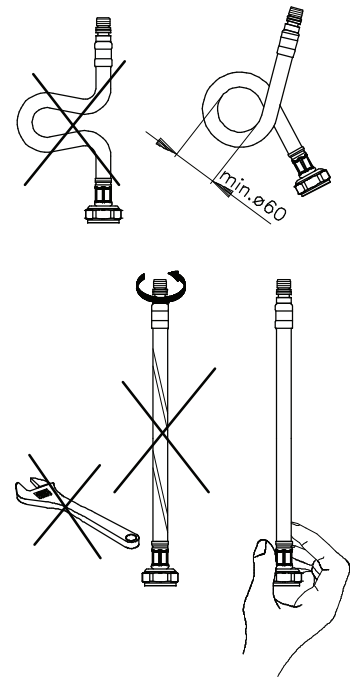
Slate



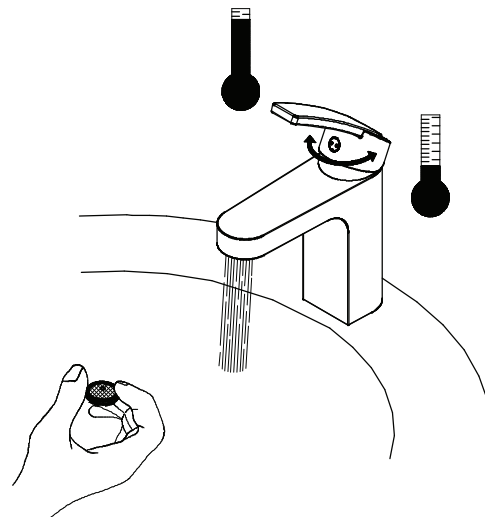
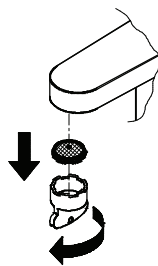
**A** A,B: 50–1000 kPa (0.5–10 bar)



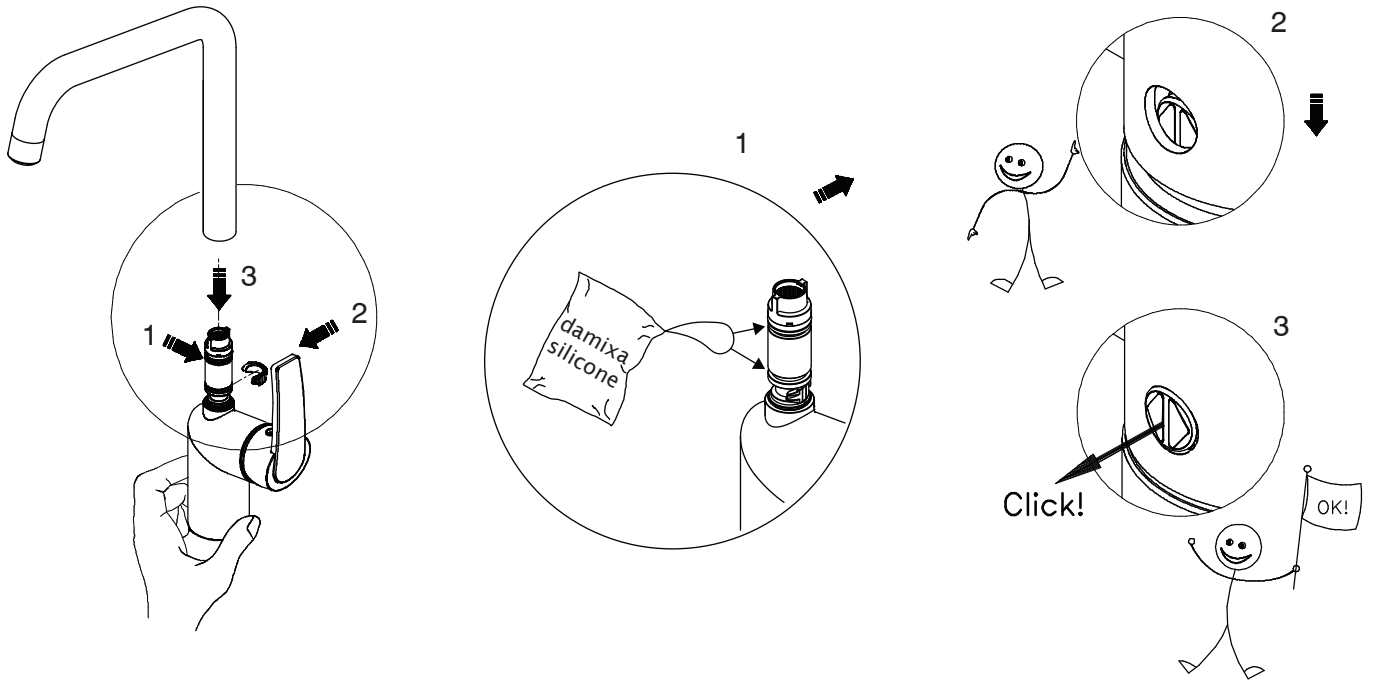
**B**



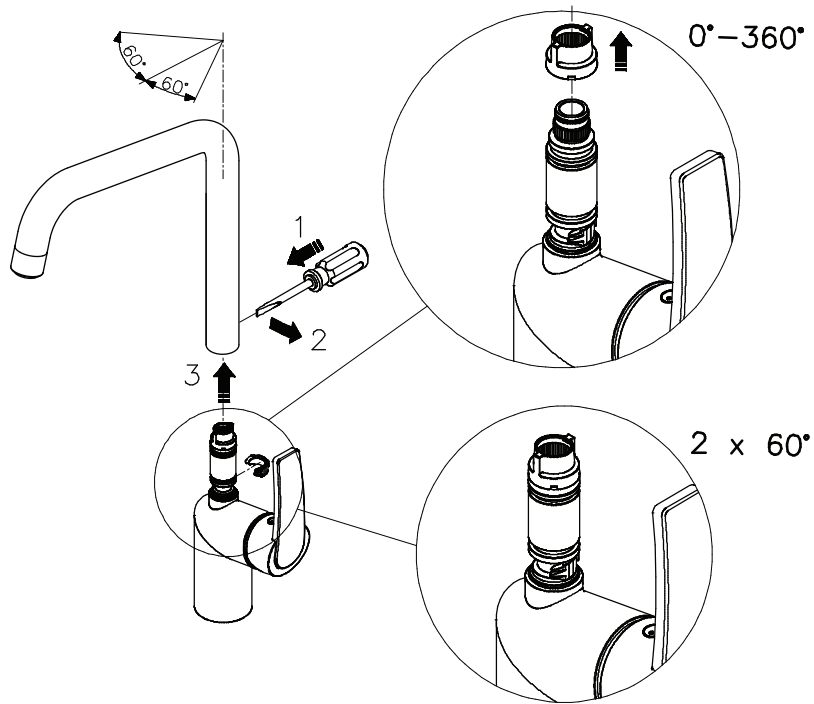
**C**



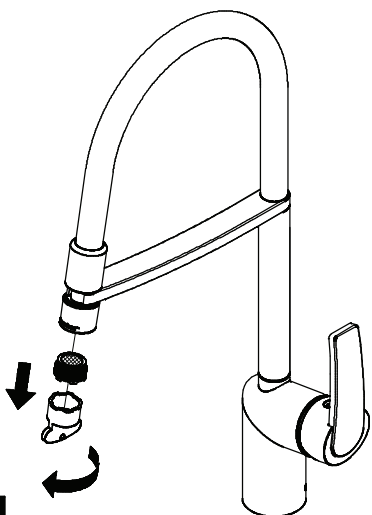
**D**



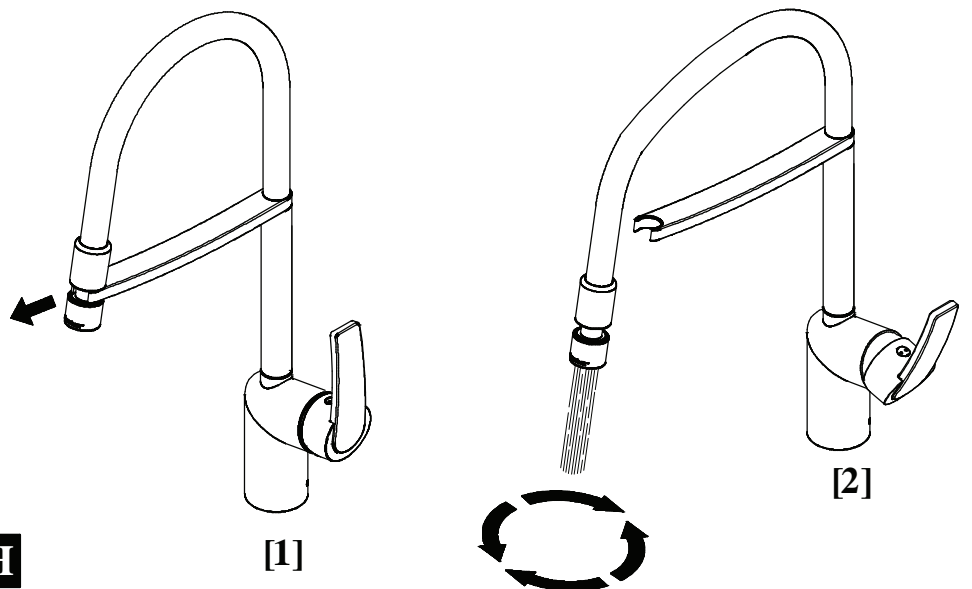
**E**



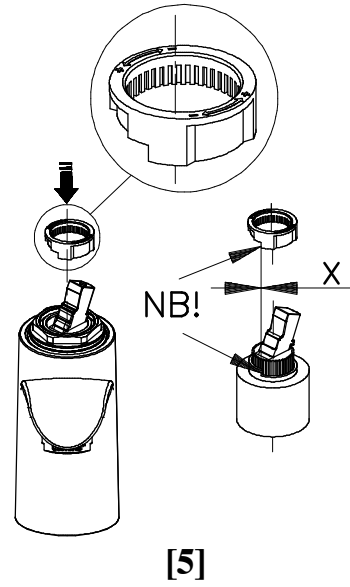
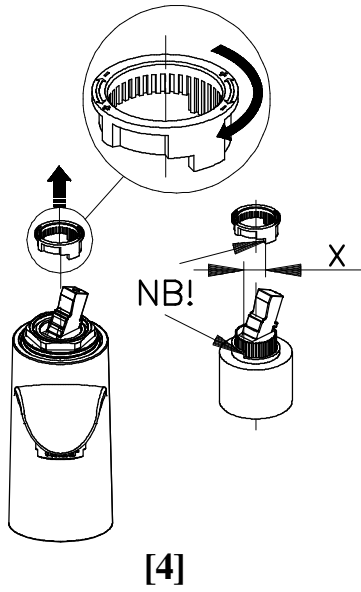
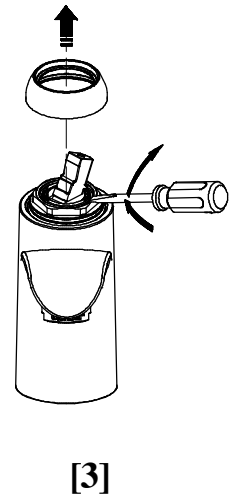
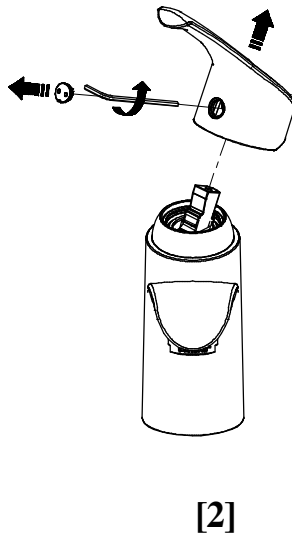
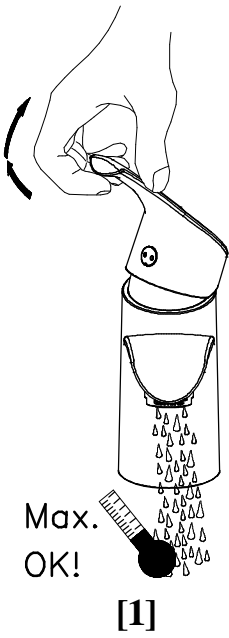
**F**



**G**



**H**



**I**

